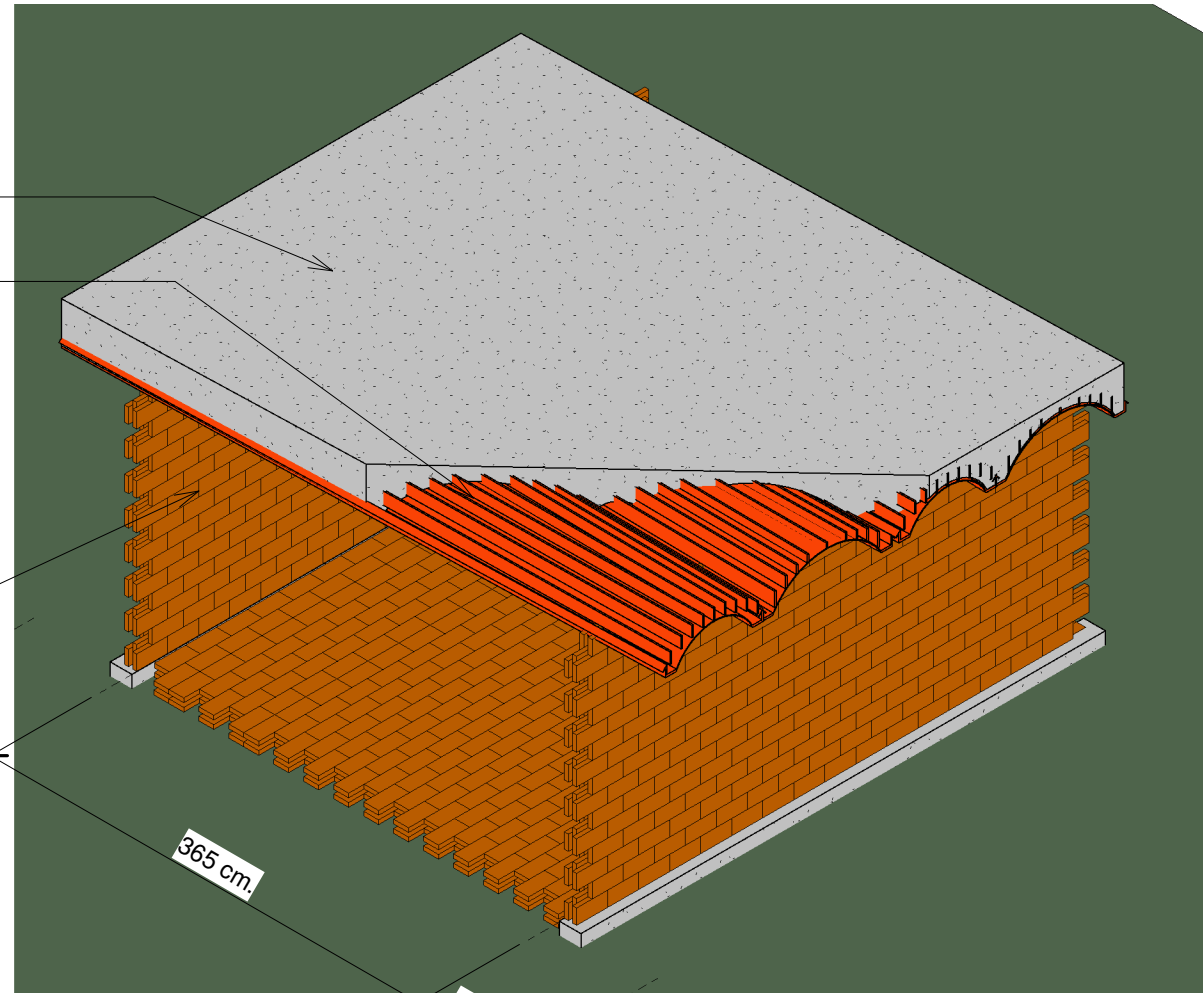
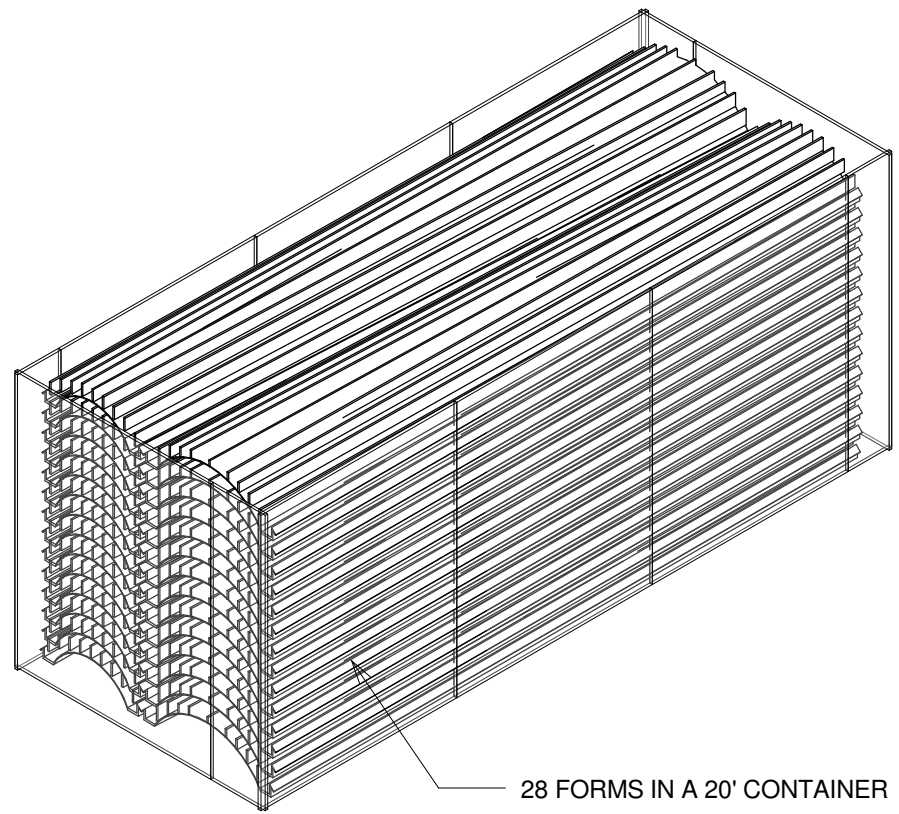


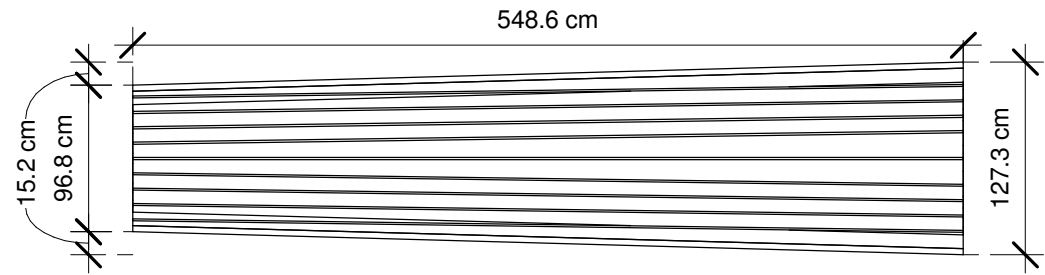
1 Section 1
1 : 50



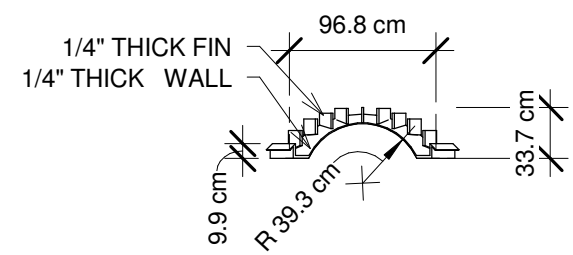
2 Axonometric Cut Away



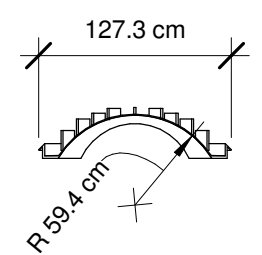
3 Axonometric Forms in 20' Container



4 Plan of Form
1 : 50

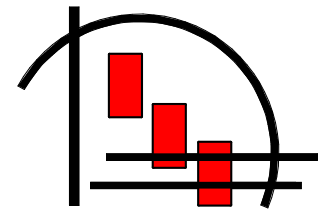


5 Elevation End Narrow
1 : 50



6 Elevation End Wide
1 : 50

THE INNOVATION OF THIS CONCEPT IS THE CREATION OF FIBERGLAS-RESIN FORMS TO BE USED AS PERMANENT INSTALLATION AND THE FORMWORK FOR A FERRO-CEMENT ROOF/FLOOR POURED ON SITE. TEMPORARY SHORING IS REQUIRED AS CONCRETE CURES. THE UNITS ARE STACKABLE AND INTERLOCKING AND 28 CAN BE PACKED IN A 20' CONTAINER. AS DESIGNED THEY CAN SPAN 365 CM (12') WITH AN OVERHANG FOR A TOTAL OF 549 CM (18') AND SUPPORT A LIVE LOAD OF 244 KILOGRAMS PER SQUARE METER (50 PSF.)



Molinelli Architects
279 Sleepy Hollow Road
Briarcliff Manor NY 10510
914 941-2657
fax 941-2830
www.molinelliarchitects.com

TRAPEZOID FORM

Design Concept Patent

1 : 50
Author

Ferro-Cement Form

Solar-Tectic Bungalow

Briarcliff Manor NY

A-1
1/17/13

Revisions: